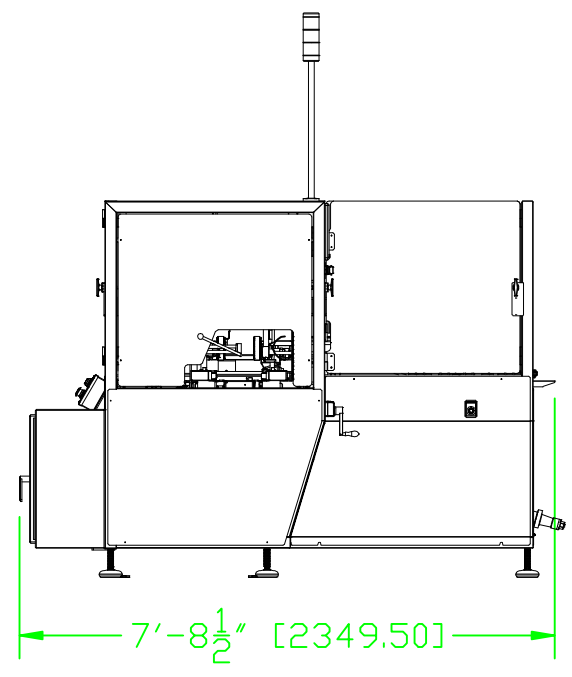
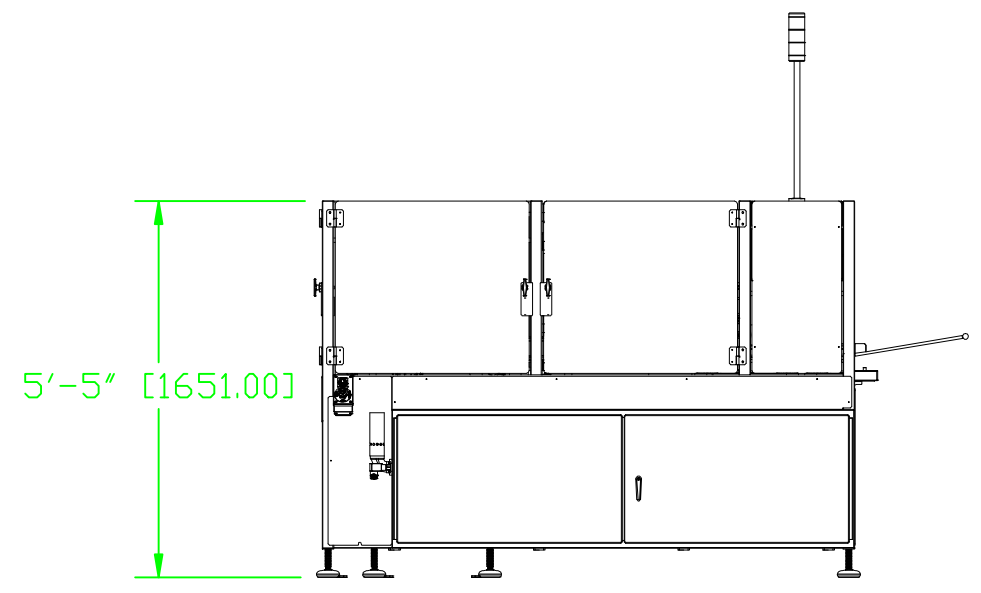
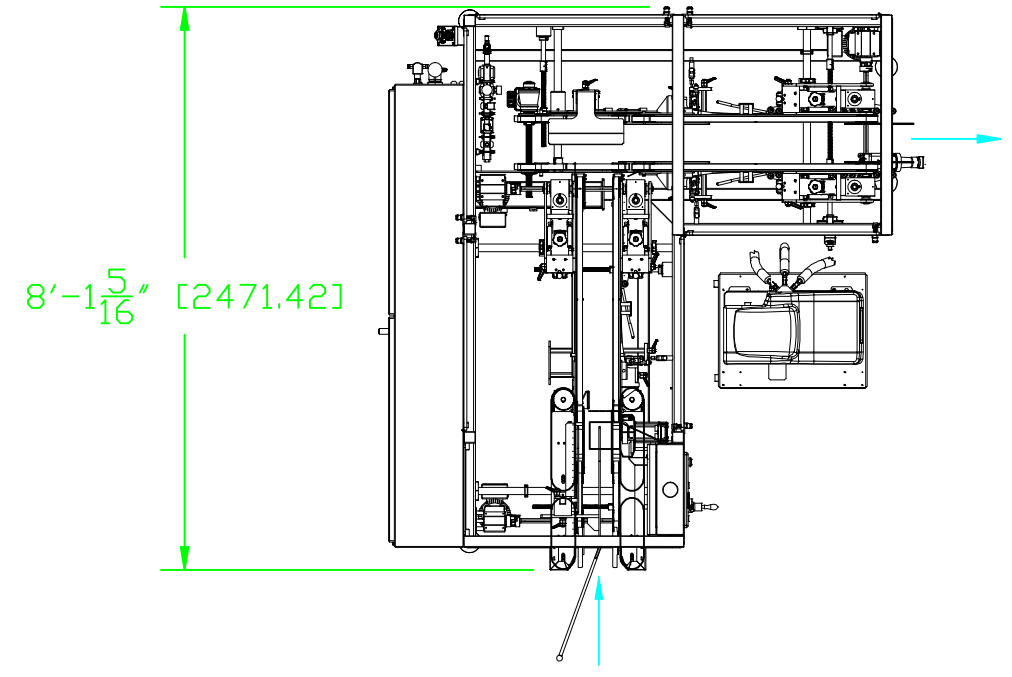
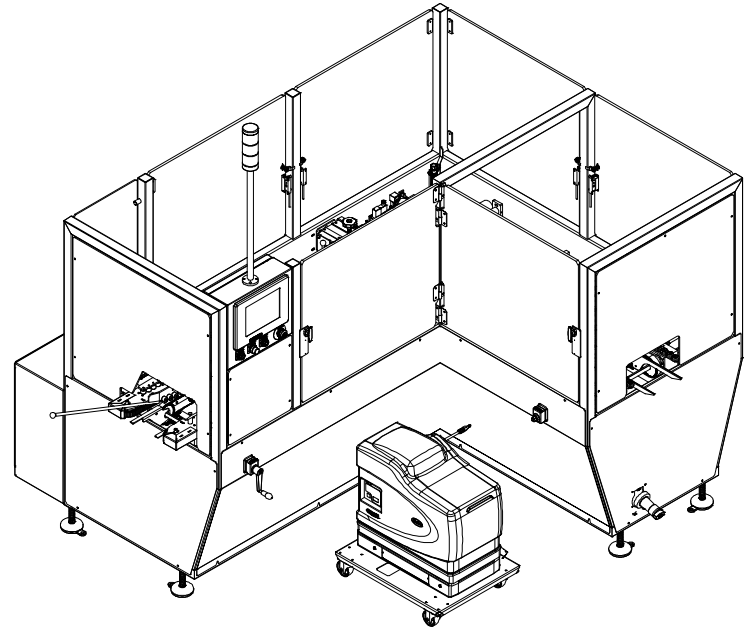


BILL OF MATERIALS		
ITEM	DESCRIPTION	QTY
A	DELKOR CAPSTONE TSC-600	1



REV	BY	DATE	DESCRIPTION
1	DEB	09-09-09	INITIAL RELEASE

NOTE:  
 1. THE INFORMATION CONTAINED IN THIS DRAWING IS THE SOLE PROPERTY OF DELKOR SYSTEMS, INC. ANY REPRODUCTION IN PART OR WHOLE WITHOUT THE WRITTEN PERMISSION OF DELKOR SYSTEMS, INC. IS PROHIBITED.  
 2. THIS PROPOSAL DRAWING IS FOR ILLUSTRATIVE PURPOSES ONLY. ACTUAL DIMENSIONS MAY VARY PENDING ENGINEERING RELEASE.



8700 RENDOVA STREET NE  
 CIRCLE PINES, MN 55014  
 1-800-328-5558  
 TEL 763-783-0855  
 FAX 763-783-0875

DELKOR SYSTEMS  
 CIRCLE PINES, MN

PACKAGING SOLUTIONS  
 CARTON CLOSING

SIZE B	PROPOSAL NO. XX-XX-XX	DWG NO. DELKOR CAPSTONE TSC-600	REV 1
SCALE 1=48	REF	SHEET 1 OF 1	