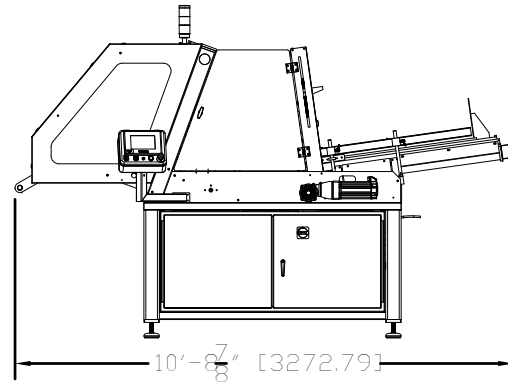
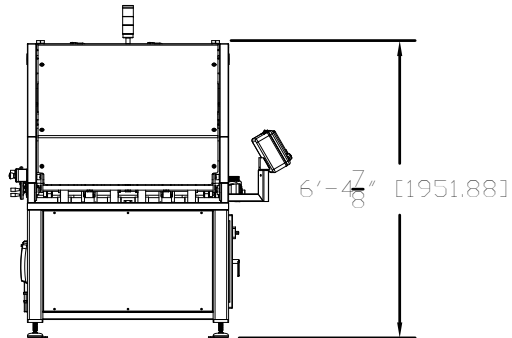
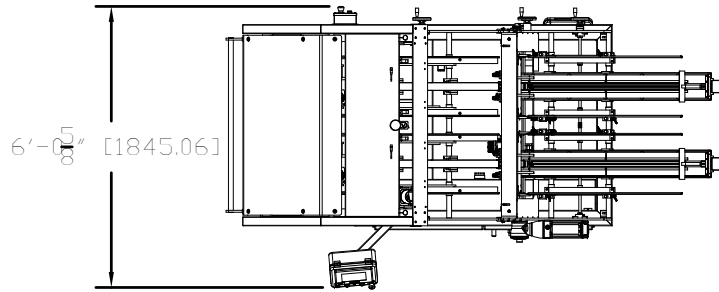
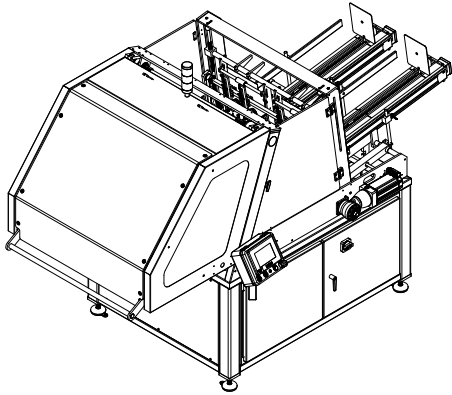


BILL OF MATERIALS		
ITEM	DESCRIPTION	QTY
A	TRAYFECTA TFS-1202	1



REV	BY	DATE	DESCRIPTION
1	DEF	09-09-09	INITIAL RELEASE

NOTE:
 1. THE INFORMATION CONTAINED IN THIS DRAWING IS THE SOLE PROPERTY OF DELKOR SYSTEMS, INC. ANY REPRODUCTION IN PART OR WHOLE WITHOUT THE WRITTEN PERMISSION OF DELKOR SYSTEMS, INC. IS PROHIBITED.
 2. THIS PROPOSAL DRAWING IS FOR ILLUSTRATIVE PURPOSES ONLY. ACTUAL DIMENSIONS VARY PENDING ENGINEERING RELEASE.

DELKOR SYSTEMS
 5765 RENDOVA STREET NE
 CIRCLE PINES, MN 55013
 1-800-328-5558
 MAYTEL 763-783-0855
 FAX 763-783-0875

DELKOR SYSTEMS CIRCLE PINES, MN			
PACKAGING SOLUTIONS TRAY/CARTON FORMING			
SCALE	PROPOSAL NO.	DWG. NO.	REV.
1=48	XX-XX-XX	TRAYFECTA S-SERIES	S1
REF			SHEET 1 OF 1