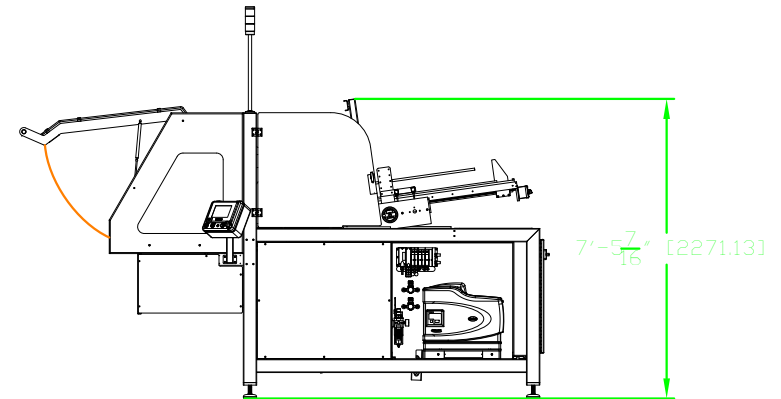
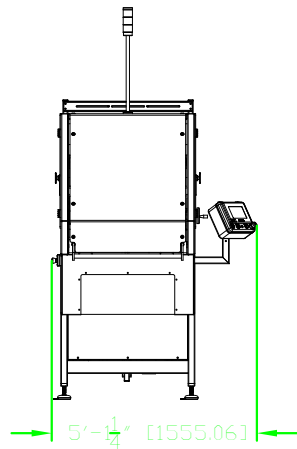
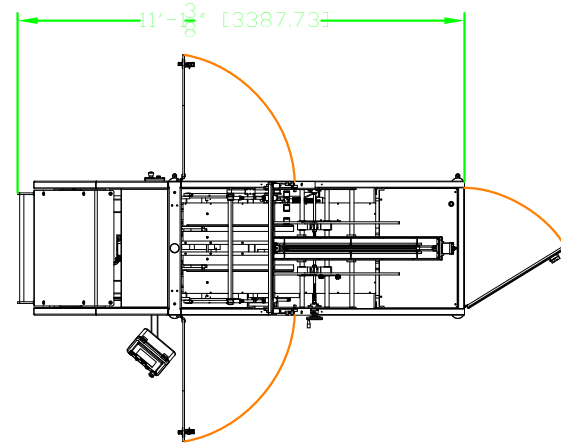
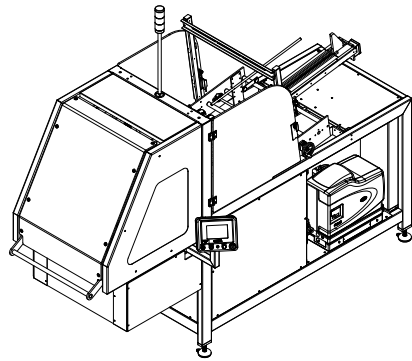


BILL OF MATERIALS		
ITEM	DESCRIPTION	QTY
A	TRAYFECTA TFM-901 (PAINTED)	1



REV	BY	DATE	DESCRIPTION
1	DEF	4-28-09	INITIAL RELEASE

DELKOR SYSTEMS
CIRCLE PINES, MN
55075
1-800-328-5558
MAYTEL 763-783-0855
FAX 763-783-0875

DELKOR SYSTEMS CIRCLE PINES, MN		PACKAGING SOLUTIONS TRAY/CARTON FORMING	
PROPOSAL NO.	DWG. NO.	REV	
B	TRAYFECTA M-SERIES	9	101
SCALE 1=36	REF	SHEET 1 OF 1	

TF-ELECTRICAL DROP IS 480VAC, 3 PHASE, 35AMP, FUSED DISCONNECT
TF-AIR DROP IS 1/2" NPT, 80 P.S.I.G., 15 S.C.F.M.

NOTE:

1. THE INFORMATION CONTAINED IN THIS DRAWING IS THE SOLE PROPERTY OF DELKOR SYSTEMS, INC. ANY REPRODUCTION IN PART OR WHOLE WITHOUT THE WRITTEN PERMISSION OF DELKOR SYSTEMS, INC. IS PROHIBITED.
2. THIS PROPOSAL DRAWING IS FOR ILLUSTRATIVE PURPOSES ONLY. ACTUAL DIMENSIONS VARY PENDING ENGINEERING RELEASE.