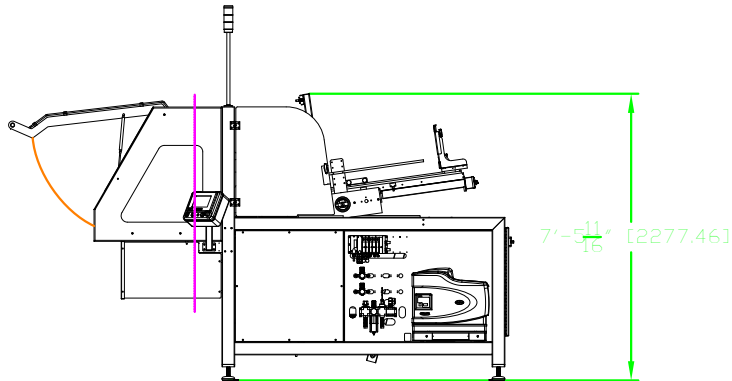
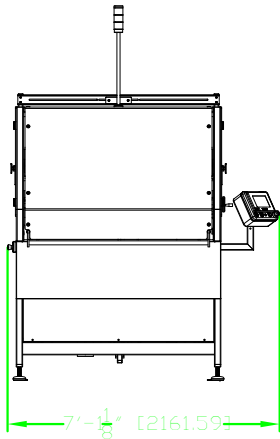
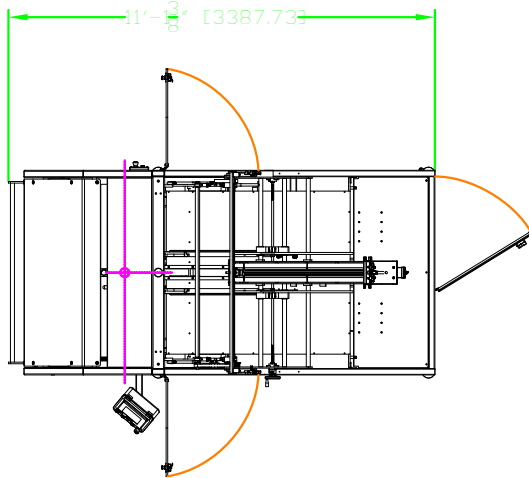
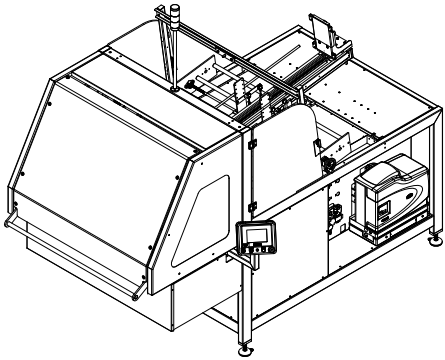


BILL OF MATERIALS		
ITEM	DESCRIPTION	QTY
A	TRAYFECTA TFM-1501 (PAINTED)	1



TF-ELECTRICAL DROP IS 480VAC, 3 PHASE, 35AMP, FUSED DISCONNECT
 TF-AIR DROP IS 1/2" NPT, 80 P.S.I.G., 15 S.C.F.M.

REV	DATE	DESCRIPTION
1	DEF 0-10-09	INITIAL RELEASE

NOTE:
 1. THE INFORMATION CONTAINED IN THIS DRAWING IS THE SOLE PROPERTY OF DELKOR SYSTEMS, INC. ANY REPRODUCTION IN PART OR WHOLE WITHOUT THE WRITTEN PERMISSION OF DELKOR SYSTEMS, INC. IS PROHIBITED.
 2. THIS PROPOSAL DRAWING IS FOR ILLUSTRATIVE PURPOSES ONLY. ACTUAL DIMENSIONS VARY PENDING ENGINEERING RELEASE.

7676 BRENDOVA STREET
 CIRCLE PINES, MN 55006
 1-800-528-5568
 MAYTEL 763-783-0855
 FAX 763-783-0875

DELKOR SYSTEMS INC.
 CIRCLE PINES, MN

PACKAGING SOLUTIONS
 TRAY/CARTON FORMING

SCALE: 1 = 36"	PROPOSAL NO. B	DWG. NO. TRAYFECTA M-SERIES 1501	REV 0
SHEET 1 OF 1			