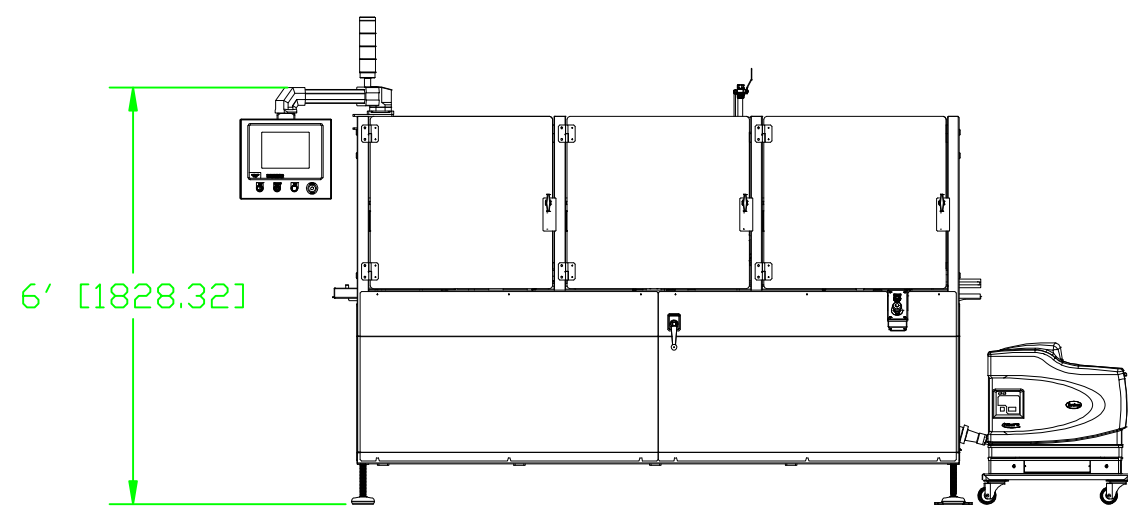
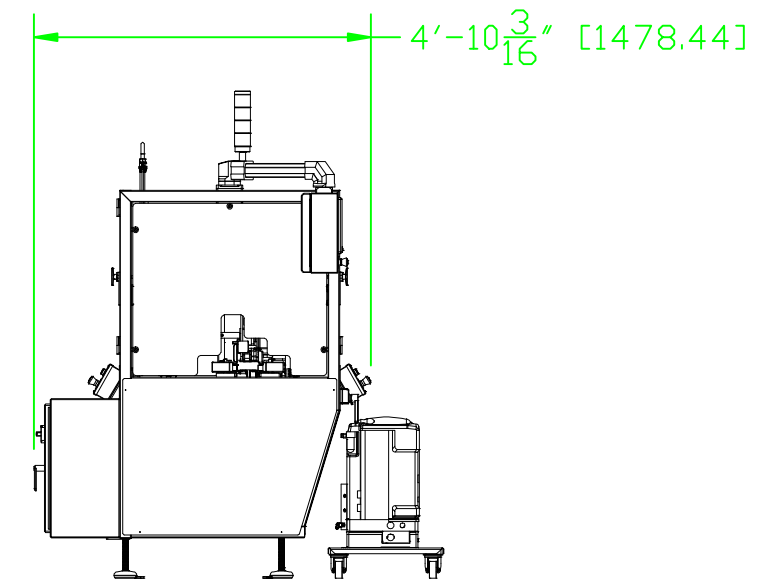
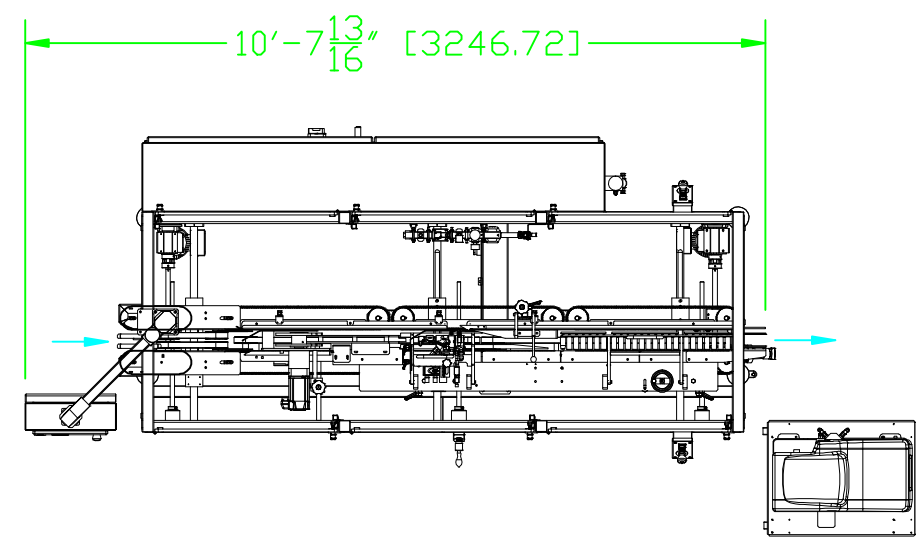
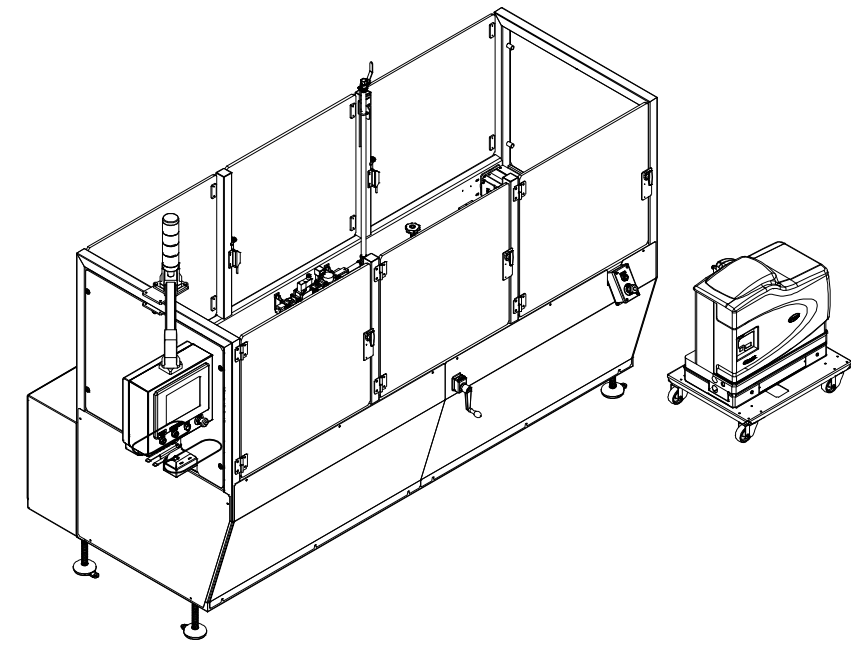


BILL OF MATERIALS		
ITEM	DESCRIPTION	QTY
A	FLANGE SEAL CLOSER	1



REV	BY	DATE	DESCRIPTION
1	DEB	09-11-09	INITIAL RELEASE

NOTE:  
 1. THE INFORMATION CONTAINED IN THIS DRAWING IS THE SOLE PROPERTY OF DELKOR SYSTEMS, INC. ANY REPRODUCTION IN PART OR WHOLE WITHOUT THE WRITTEN PERMISSION OF DELKOR SYSTEMS, INC. IS PROHIBITED.  
 2. THIS PROPOSAL DRAWING IS FOR ILLUSTRATIVE PURPOSES ONLY. ACTUAL DIMENSIONS MAY VARY PENDING ENGINEERING RELEASE.



DELKOR SYSTEMS CIRCLE PINES, MN			
PACKAGING SOLUTIONS CARTON CLOSING			
SIZE B	PROPOSAL NO. XX-XX-XX	DWG NO. FLANGE SEAL CLOSER	REV 1
SCALE 1=48	REF	SHEET 1 OF 1	